

YASKAWA's smallest type of the MH-series, the MOTOMAN MH3F, is a powerful high-speed 6-axis robot, designed for more compact, lighter payload applications. The high repeatability of 0.02 mm offers superior performance in small part handling and assembly and is ideal for lab automation, education and research applications. The base width of only 170 mm allows it to be mounted in confined spaces. The compact design and built-in collision avoidance features with multiple robot control allow up to two robots to be used together to optimise productivity. Furthermore the internally routed cables and hoses maximize the system reliability. This robot can be driven by the FS100 compact controller.



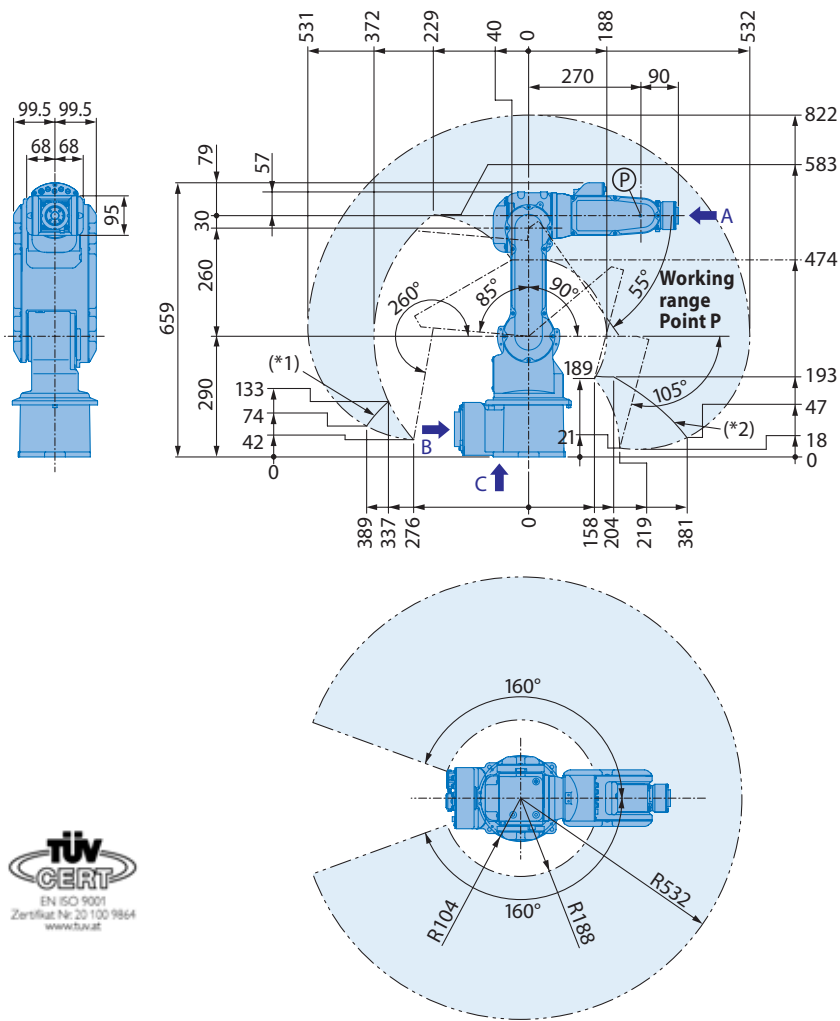
### Key benefits

- Excellent value for money makes this an affordable robot
- 6 axes design provides high flexibility
- 3 kg payload is ideal for light duty handling and process applications
- High repeatability delivers accurate process
- Compact body design with internally routed services allow for small installation footprint
- Floor, wall and ceiling mounting options provide integration flexibility

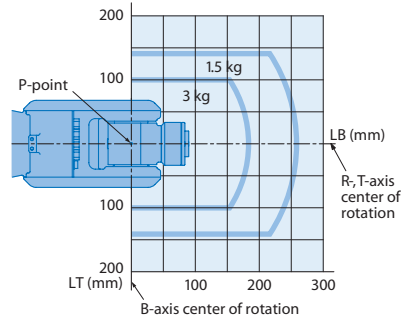
## MOTOMAN MH3F

General purpose and handling

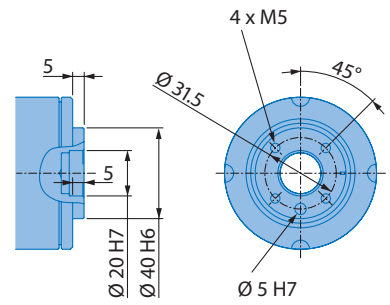
 **YASKAWA**



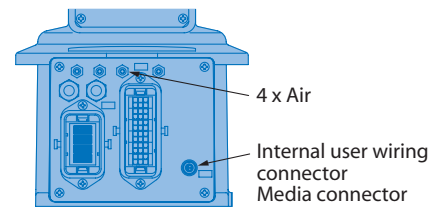
**Allowable wrist load**



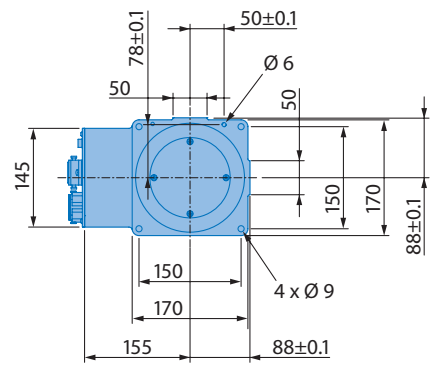
**View A**



**View B**



**View C**



Mounting options: Floor, ceiling, wall

All dimensions in mm | Technical data may be subject to change without previous notice | Please request detailed drawings at [robotics@yaskawa.eu](mailto:robotics@yaskawa.eu) - YR-MH0003F-A00, A-04-2013, A-No. 161753

**Specifications MH3F**

Axes	Maximum motion range [°]	Maximum speed [°/sec.]	Allowable moment [Nm]	Allowable moment of inertia [kg · m <sup>2</sup> ]	Controlled axes	6
S	±160	200	-	-	Max. payload [kg]	3
L	+90/-85	150	-	-	Repeat. pos. accuracy [mm]	±0.03
U	+260/-105	190	-	-	Max. working range [mm]	R = 532
R	±170	300	5.39	0.10	Temperature [°C]	0 to +40
B	±120	300	5.39	0.10	Humidity [%]	20 - 80
T	±360	420	2.94	0.03	Weight [kg]	27
					Power supply, average [KVA]	0.5



**Headquarters Robotics Division**

YASKAWA Europe GmbH  
Yaskawastraße 1  
D-85391 Allershausen  
Tel. 0049-81 66-90-0  
Fax 0049-81 66-90-103  
[robotics@yaskawa.eu](mailto:robotics@yaskawa.eu)  
[www.yaskawa.eu.com](http://www.yaskawa.eu.com)

**YASKAWA Academy and sales office Frankfurt**

YASKAWA Europe GmbH  
Robotics Division  
Hauptstraße 185  
D-65760 Eschborn  
Tel. 0049-61 96-777 25-0  
Fax 0049-61 96-777 25-39  
[robotics@yaskawa.eu](mailto:robotics@yaskawa.eu)  
[www.yaskawa.eu.com](http://www.yaskawa.eu.com)