

The MOTOMAN MPK2 is a five-axis, high-speed robot that is particularly suitable in the following areas: order-picking, high-speed handling, picking-packing-palletizing and many other handling applications.

With its Wash-Down paintwork, the MPK2 has been developed especially for use in the food industry and in environments with strict cleanliness requirements.

Thanks to its compact and streamlined design, the robot can operate even in confined workspaces.

The hollow-wrist design of the MPK2 allows integrated supply lines for energy, fluids and air – all the way from the robot base to the tool.

This high-speed robot, with a payload of 2 kg, is characterized by its very high velocity and acceleration. With a maximum of 133 cycles/minute, this robot combines performance and reliability in all handling applications.

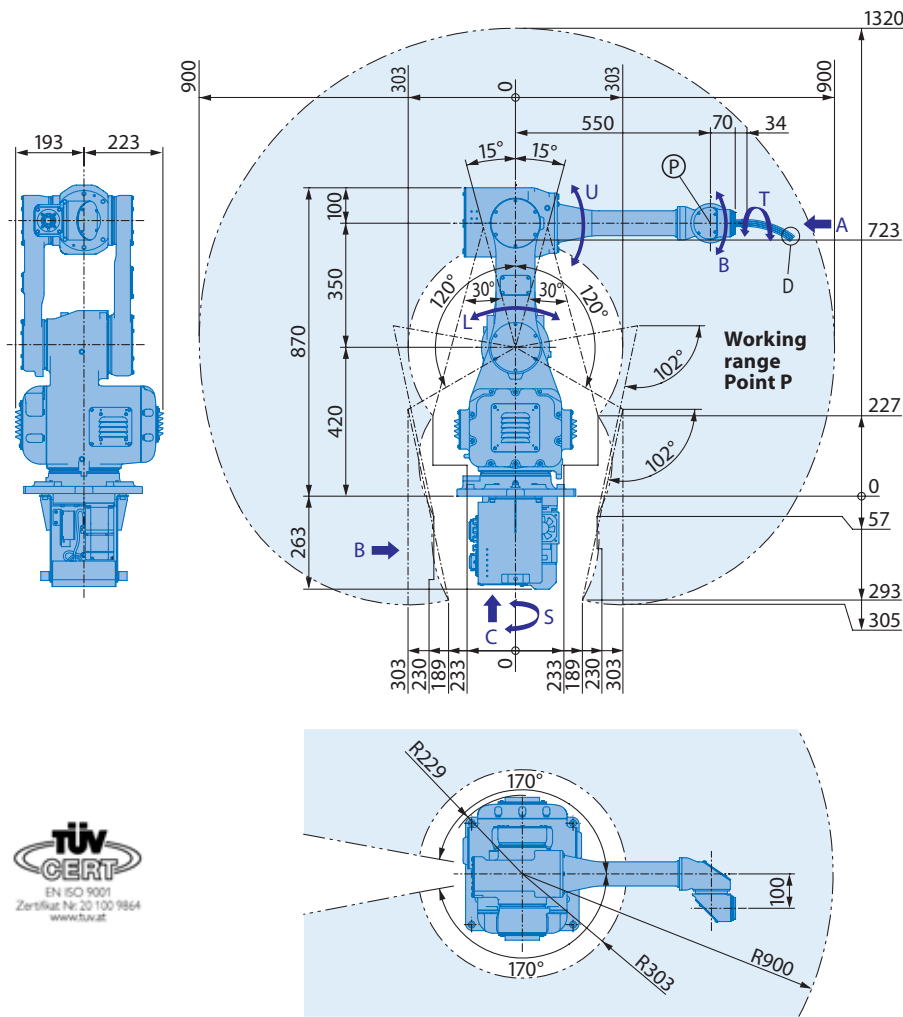


## Key benefits

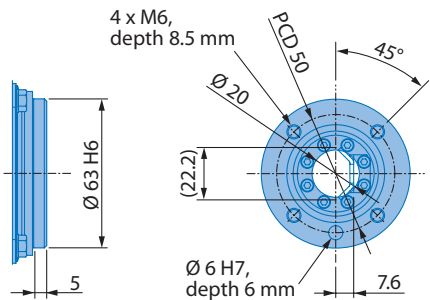
- Robot with "wash-down-painting" (robot and wrist) for special cleanroom applications
- Space saving with minimal footprint
- High-speed robot for increased productivity, up to 133 picks/minute
- Hollow wrist with through-the-arm cabling reduces interference, maintenance and facilitates programming
- Optional vision and conveyor tracking

## MOTOMAN MPK2

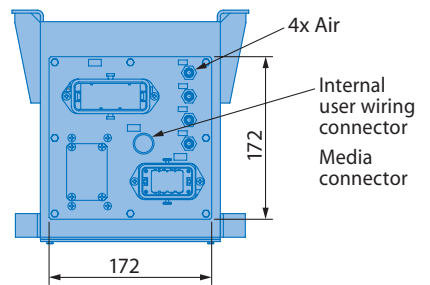
Picking and packing



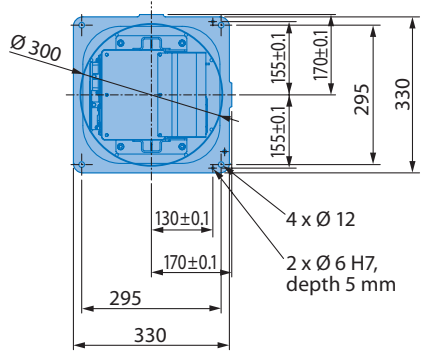
View A



View B



View C

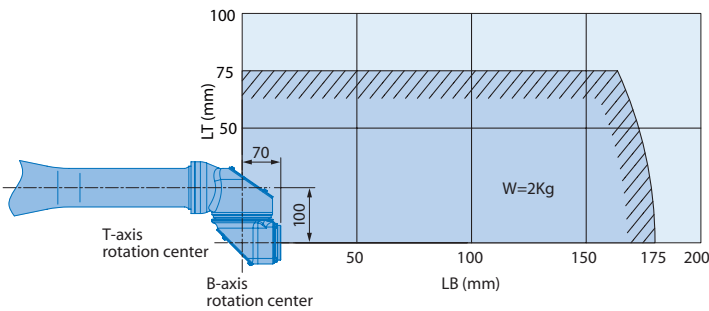


Mounting options: Floor, ceiling

All dimensions in mm | Technical data may be subject to change without previous notice | Please request detailed drawings at robotics@yaskawa.eu.com – YR-MPK00002-B01, D-04-2011, A-No. 150304



Moment Arm Rating



Specifications MPK2

Axes	Maximum motion range [°]	Maximum speed [°/sec.]	Allowable moment [Nm]	Allowable moment of inertia [kg · m <sup>2</sup> ]	Controlled axes	5
S	±170	320	-	-	Max. payload [kg]	2
L	±120	330	-	-	Repet. pos. accuracy [mm]	±0.5
U	+282/-102	330	-	-	Max. working range [mm]	R = 900
R	-	-	-	-	Temperature [°C]	0 to +40
B	±150	380	3.5	0.065	Humidity [%]	20 – 80
T	±270	2000	1.5	0.012	Weight [kg]	72
					Power supply, average [KVA]	2.0
					<b>Optional Accessory:</b>	
					Wash Down Cover – Order Number 151915	



**Headquarters Robotics Division**  
 YASKAWA Europe GmbH  
 Kammerfeldstraße 1  
 D-85391 Allershausen  
 Fon 0049-81 66-90-0  
 Fax 0049-81 66-90-103  
 robotics@yaskawa.eu.com  
 www.yaskawa.eu.com

**YASKAWA Academy and sales office Frankfurt**  
 YASKAWA Europe GmbH  
 Robotics Division  
 Hauptstraße 185  
 D-65760 Eschborn  
 Fon 0049-61 96-777 25-0  
 Fax 0049-61 96-777 25-39  
 robotics@yaskawa.eu.com  
 www.yaskawa.eu.com