

The MOTOMAN MH5S, MH5F and MH5LS, MH5LF are compact, high-speed 6-axis robots that offer superior performance in a variety of applications such as packaging, material handling, machine tending and dispensing, where versatility is required. The MH5S, MH5F and MH5LS, MH5LF feature high reach and offer the widest work envelope in its class. Its compact design and built-in collision detection feature with multiple robot control allow up to eight robots to be used together to optimize productivity. This all-round robots can be driven by the high-performance-controller DX100 as well as the compact-controller FS100.



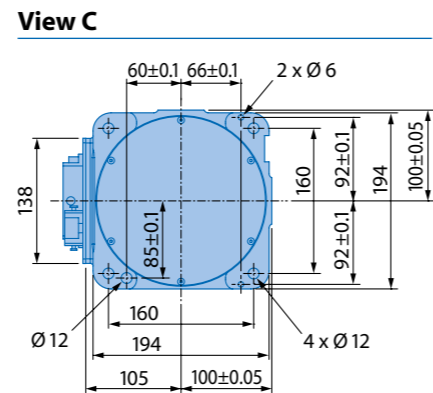
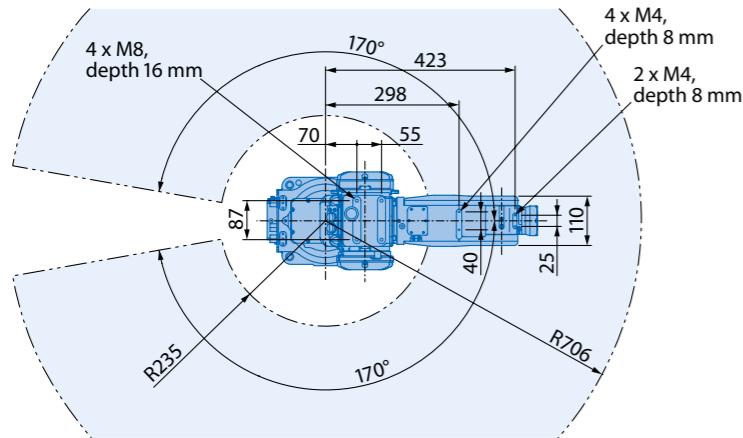
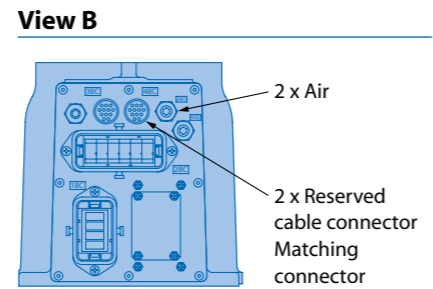
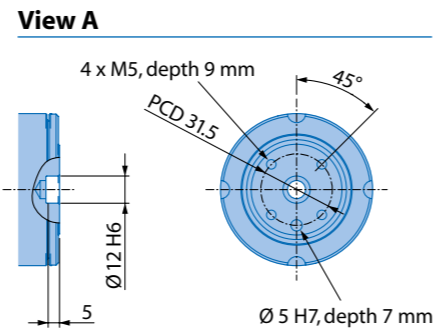
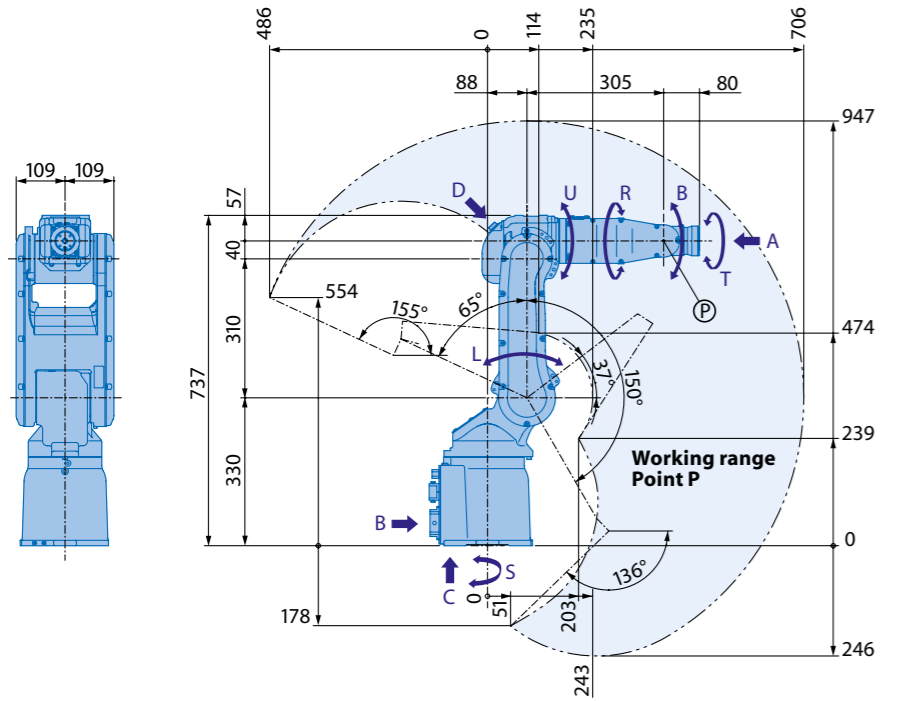
### Key benefits

- Compact, powerful and economical
- Compact design allows maximum performance using minimal floor space
- Yields extraordinary production results while requiring minimal capital investment
- Internally routed cables and hoses maximize system reliability

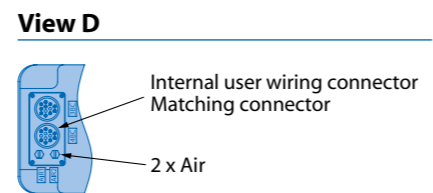
## MOTOMAN MH5S, MH5F MOTOMAN MH5LS, MH5LF

General purpose and handling

 **YASKAWA**  
MOTOMAN

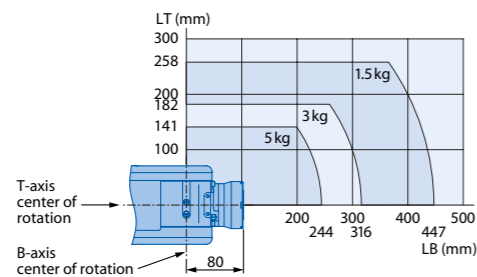


Mounting options: Floor, ceiling, wall



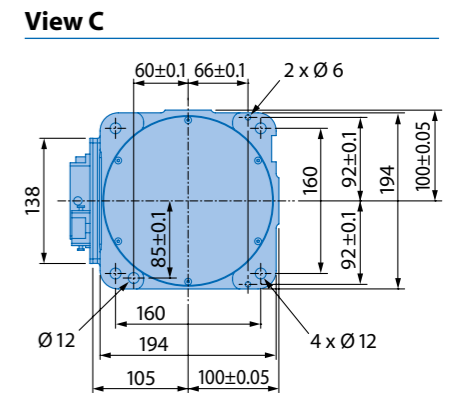
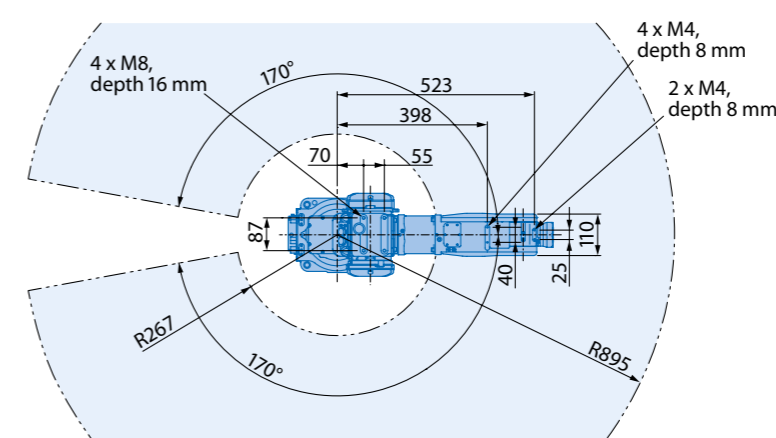
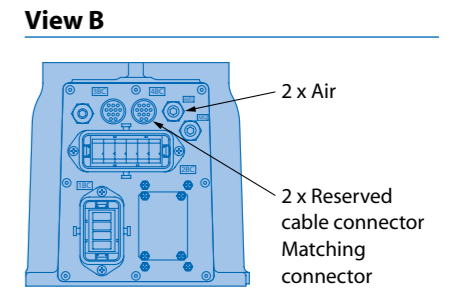
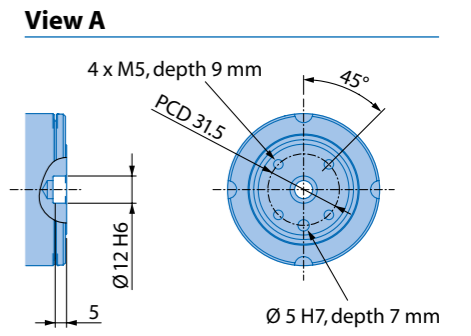
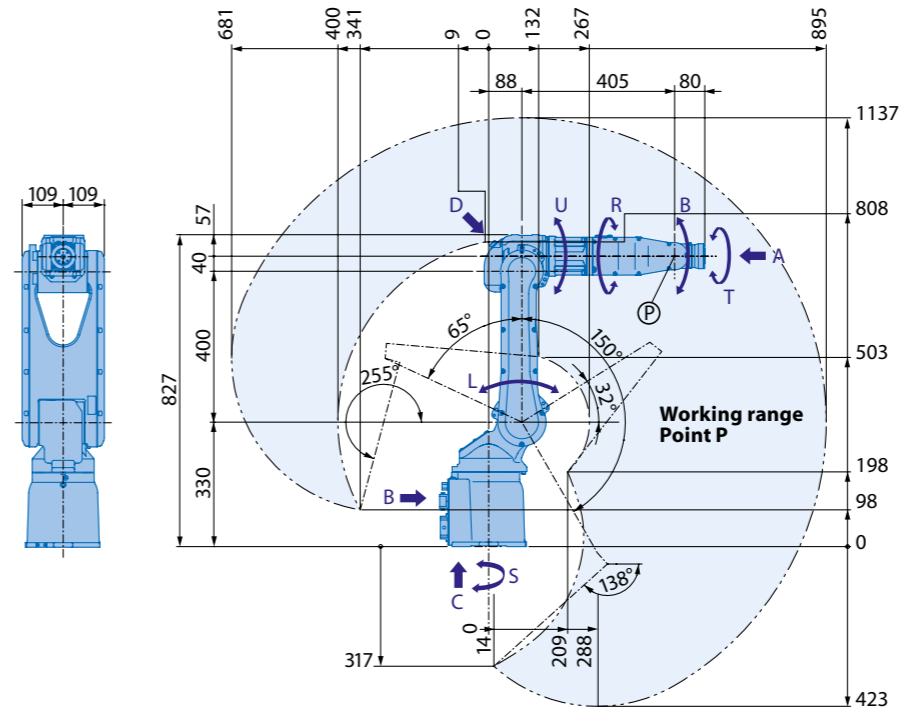
All dimensions in mm | Technical data may be subject to change without previous notice | Please request detailed drawings at robotics@yaskawa.eu.com – YR-MH0005S-A12 (DX100), YR-MH0005F-A12 (FX100), B-07-2012, A-No. 150257

**Moment Arm Rating**



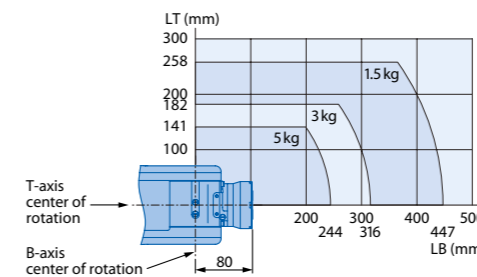
**Specifications MH5S, MH5F**

Axes	Maximum motion range [°]	Maximum speed [°/sec.]	Allowable moment [Nm]	Allowable moment of inertia [kg · m <sup>2</sup> ]	Controlled axes	
S	±170	376	-	-	6	
L	+150/-65	350	-	-	5	
U	+155/-136	400	-	-	Repeat. pos. accuracy [mm]	±0.02
R	±190	450	12	0.3	Max. working range [mm]	R = 706
B	±135	450	12	0.3	Temperature [°C]	0 to +45
T	±360	720	7	0.1	Humidity [%]	20 – 80
					Weight [kg]	27
					Power supply, average [KVA]	1



Mounting options: Floor, ceiling, wall

**Moment Arm Rating**



**Specifications MH5LS, MH5LF**

Axes	Maximum motion range [°]	Maximum speed [°/sec.]	Allowable moment [Nm]	Allowable moment of inertia [kg · m <sup>2</sup> ]	Controlled axes	
S	±170	270	-	-	6	
L	+150/-65	280	-	-	5	
U	+255/-138	300	-	-	Repeat. pos. accuracy [mm]	±0.03
R	±190	450	12	0.3	Max. working range [mm]	R = 895
B	±135	450	12	0.3	Temperature [°C]	0 to +45
T	±360	720	7	0.1	Humidity [%]	20 – 80
					Weight [kg]	29
					Power supply, average [KVA]	1

All dimensions in mm | Technical data may be subject to change without previous notice | Please request detailed drawings at robotics@yaskawa.eu.com – YR-MH0005LS-A12 (DX100), YR-MH0005LF-A12 (FX100), B-07-2012, A-No. 150259

# YASKAWA offices and representatives near to you

## YASKAWA Electric Corporation

JP 2-1, Kurosaki-shiroishi  
Yahatanishi-ku  
Kitakyushu-shi 806-0004  
+093-645-8801

## YASKAWA Group

A YASKAWA Austria  
Schwechat/Wien +43(0)1-707-9324-15

CZ YASKAWA Czech s.r.o.  
Rudná u Prahy +420-257-941-718

D YASKAWA Europe GmbH  
Robotics Division  
Allershausen +49-8166-90-0  
YASKAWA Europe GmbH  
Headquarter  
Eschborn +49-6196-77725-0

E YASKAWA Ibérica S.L.  
Sant Boi de Llobregat +34-93-6303478

F YASKAWA France SARL  
Saint-Aignan-de-Grand-Lieu  
+33-2-40131919

FIN YASKAWA Finland Oy  
Turku +358-(0)-403000600

GB YASKAWA UK Ltd.  
Banbury +44-1295-272755

I YASKAWA Italia s.r.l.  
Torino +39-011-9005833

IL YASKAWA Europe Technology Ltd.  
Rosh Ha'ayin +972-3-9004114

NL YASKAWA Benelux B.V.  
EB Son +31-40-2895500

RUS YASKAWA Nordic AB  
Moskva +46-480-417-800

SE YASKAWA Nordic AB  
Torsås +46-480-417-800

SI YASKAWA Slovenia  
Ribnica +386-1-8372-410

ZA YASKAWA Southern Africa (PTY) Ltd  
Johannesburg +27-11-6083182

## Distributors

BG Kammarton Bulgaria Ltd.  
Sofia +359-02-926-6060

CH Messer Eutectic Castolin Switzerland S.A.  
Dällikon +41-44-847-17-17

EE RKR Seadmed OÜ  
Tallinn/Estonia +372 68 35 235

GR Gizelis Robotics  
Nea Kifissia +30-2106251455

H Flexman Robotics Kft  
Budapest +36-30-9510065  
Rehm Hegesztéstechnika Kft  
Budapest +36-53-380-078

N Optimove as  
Lierstranda +47-32240600

PL Integrator RHC Sp. z o.o.  
Torun +48-56-6519710

TR Teknodrom Robotik  
Otomasyon San. Tic. Ltd. pti  
Gebze/Kocaeli +90-262-678-88-18



Headquarters YASKAWA Europe GmbH  
Robotics Kammerfeldstraße 1  
Division D-85391 Allershausen  
Fon 0049-81 66-90-0  
Fax 0049-81 66-90-103

YASKAWA Academy and  
sales office Frankfurt

YASKAWA Europe GmbH  
Robotics Division  
Hauptstraße 185  
D-65760 Eschborn  
Fon 0049-61 96-777 25-0  
Fax 0049-61 96-777 25-39

[www.yaskawa.eu.com](http://www.yaskawa.eu.com)  
[robotics@yaskawa.eu.com](mailto:robotics@yaskawa.eu.com)

Technical data may be subject to change without previous notice.

 **YASKAWA**  
MOTOMAN